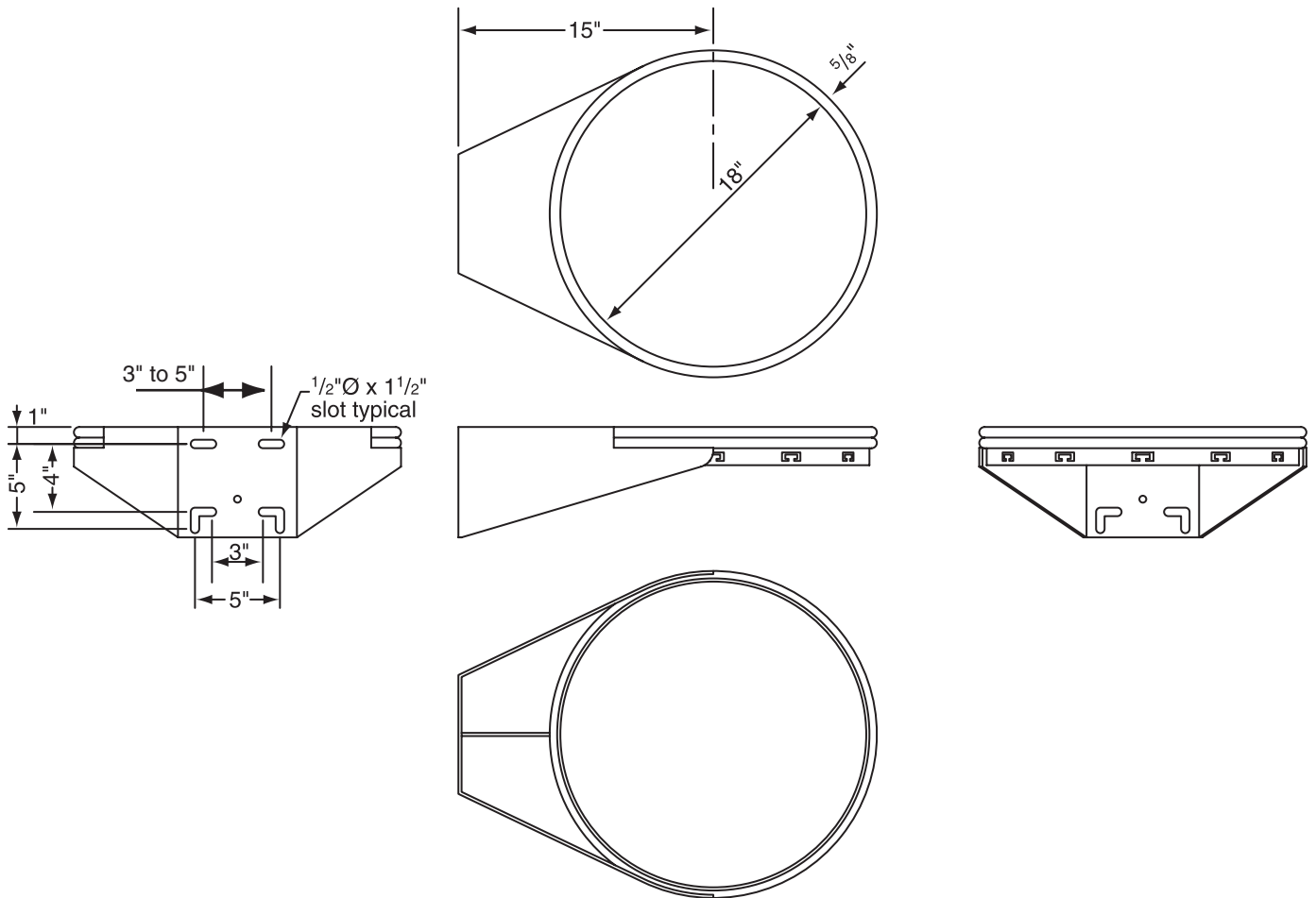


EZ Fold® 503078

Super Playground Basketball
Goal with Nylon Net

by DRAPER



Specifications—EZ Fold 503078 Super Playground Basketball Goal with Nylon Net

Product Description

Goal shall consist of two $\frac{5}{8}$ " diameter high strength steel rings welded together at a minimum of six places. Back, side and center gusset plates shall be $\frac{3}{16}$ " thick and be continuously welded. The net attachment system shall be of a continuous type constructed of $\frac{3}{16}$ " x 1" steel with punched net attachment slots. Rim shall be punched to mount on any front mount backboard, have an unconditional lifetime warranty and orange powder coated finish. Grade 5 mounting hardware shall be included.

Goal provide with standard nylon net.

Goal shall weigh approximately 27 lbs. and is covered by an Unconditional Lifetime Warranty.

DRAPER

411 S. Pearl St., Spiceland, IN 47385 USA ■ 765-987-7999 ■ fax 765-987-7142

www.draperinc.com

Copyright © 2004 Draper Inc.

Form EZ-503078_Sub04

Printed in U.S.A.

PROJECT: _____

ARCHITECT: _____

CONTRACTOR: _____

SUPPLIER: _____

DATE: _____ REVISED: _____